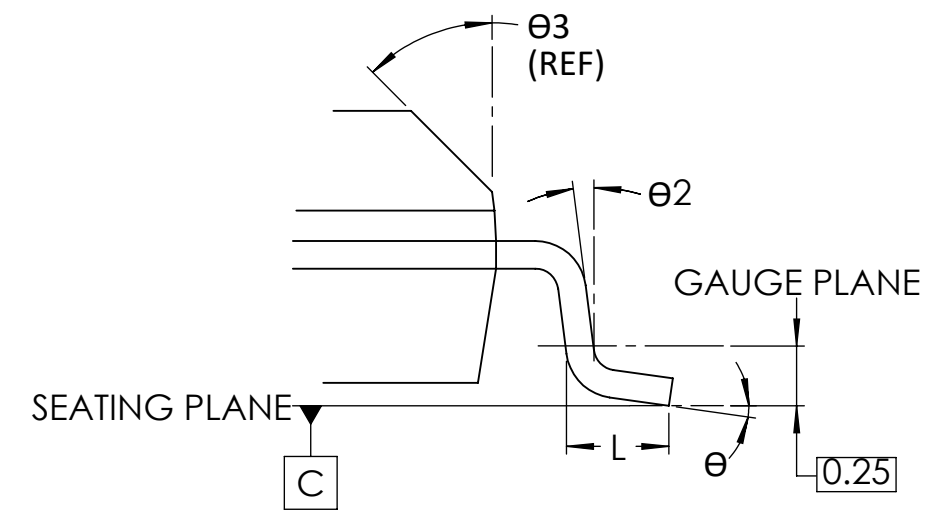
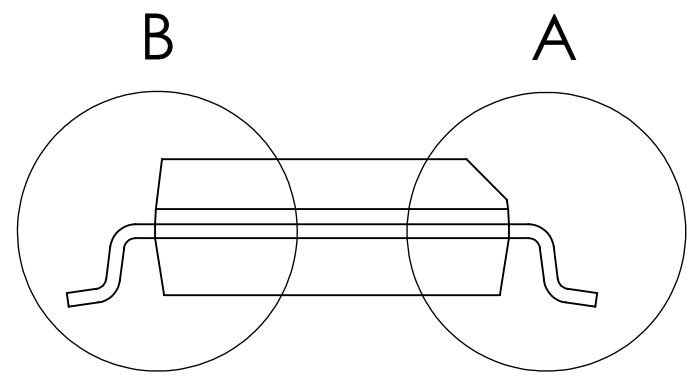
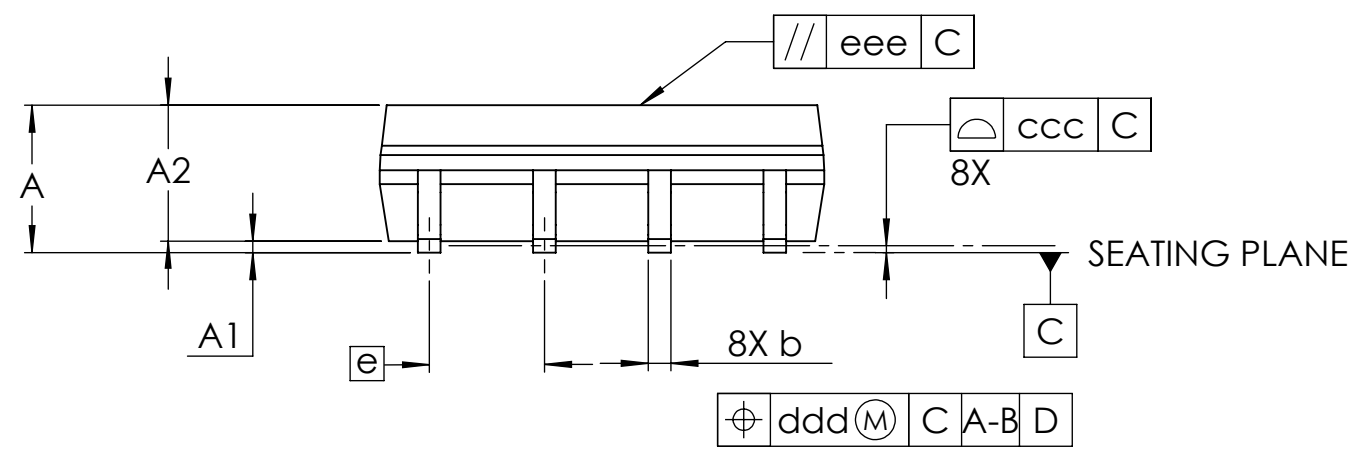


DETAIL B
SCALE 24 : 1



DETAIL A
SCALE 24 : 1



NOTES:
 1. ALL DIMENSIONS IN MM, ANGLES IN DEGREES
 2. DIMENSIONING AND TOLERANCING PER ASME Y14.5-2009.
 3. CONFORMS TO JEDEC MS-012

SYMBOL	MIN	MAX	SYMBOL	MIN	MAX
A	-	1.75	aaa	0.10	
A1	0.05	0.25	bbb	0.15	
A2	1.42	1.52	ccc	0.10	
b	0.15	0.25	ddd	0.25	
D	4.90 BSC		eee	0.10	
E	6.00 BSC		θ	0	8
E1	3.90 BSC		θ1	5	15
e	1.27 BSC		θ2	0	-
L	0.40	1.27	θ3	45 DEG.	REF



TITLE
SOIC 8L 0.150" BODY 1.27 PITCH PACKAGE OUTLINE

DWG. NO.: **8L-SOIC-150W-127P** REV **A**
 DO NOT SCALE File Name: **8L-SOIC-150W-127P.PDF** SHEET **1 of 1**

ALL INFORMATION CONTAINED HEREIN IS THE PROPERTY OF QPTECHNOLOGIES AND IS CONSIDERED PROPRIETARY AND SUBJECT TO RETURN UPON DEMAND. ACCEPTANCE AND RETENTION HEREOF SIGNIFIES AGREEMENT BY THE RECIPIENT THAT THE INFORMATION WILL NOT BE DISCLOSED TO OTHERS NOR USED CONTRARY TO THE INTEREST OF QPTECHNOLOGIES WITHOUT PRIOR WRITTEN PERMISSION