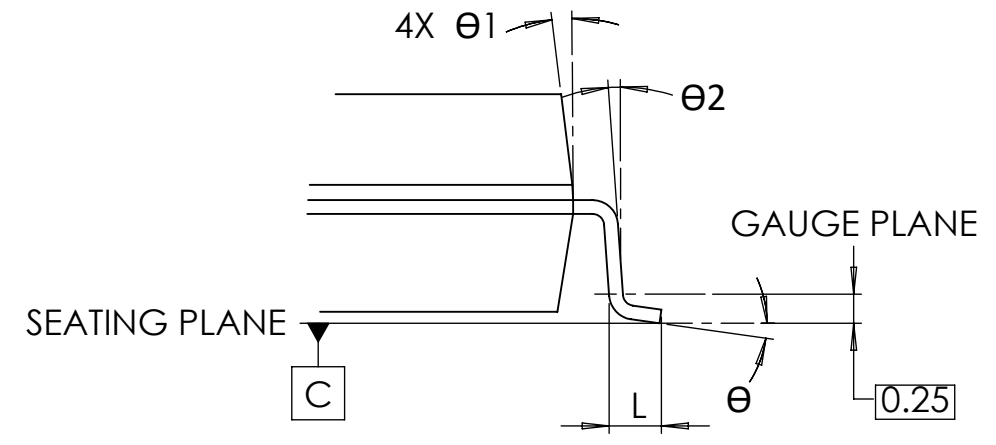
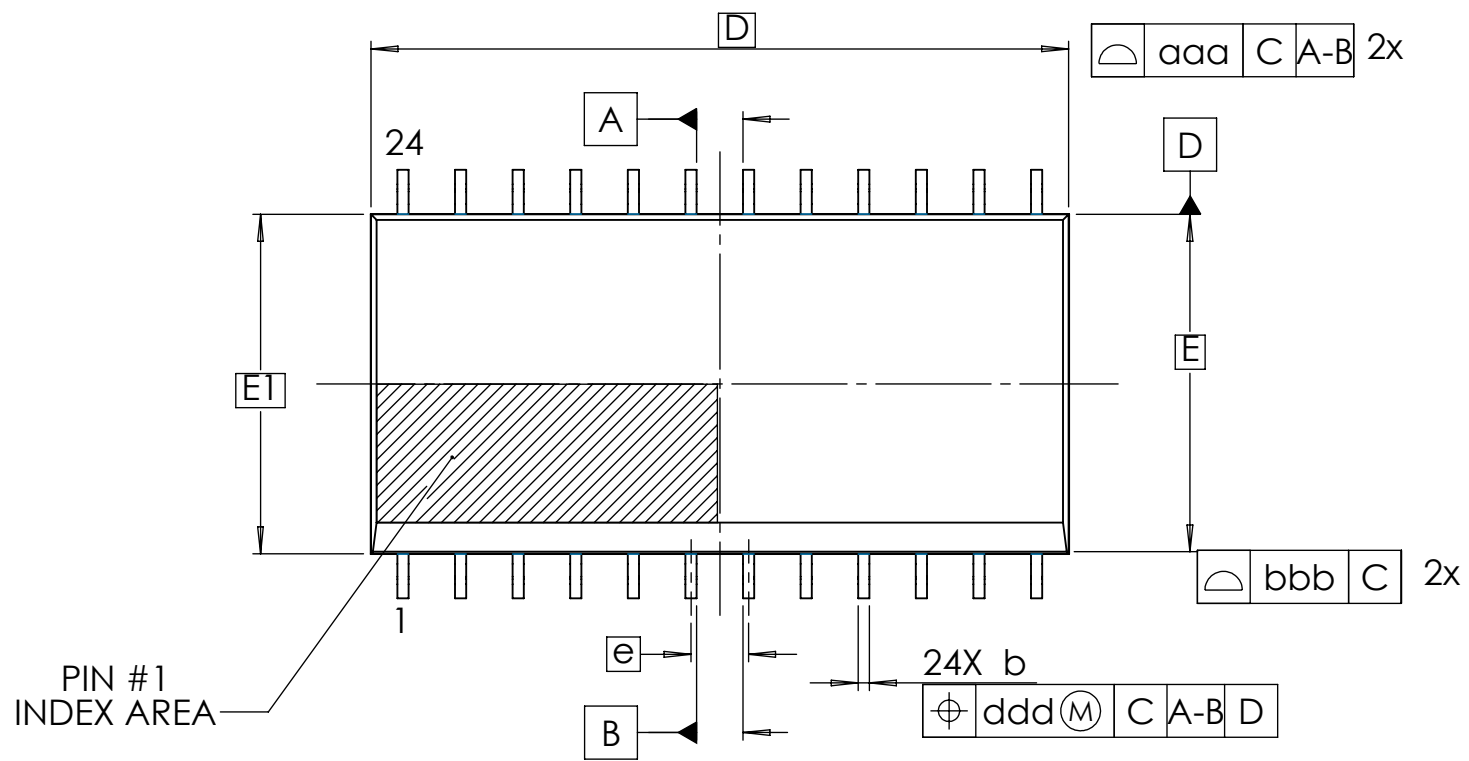
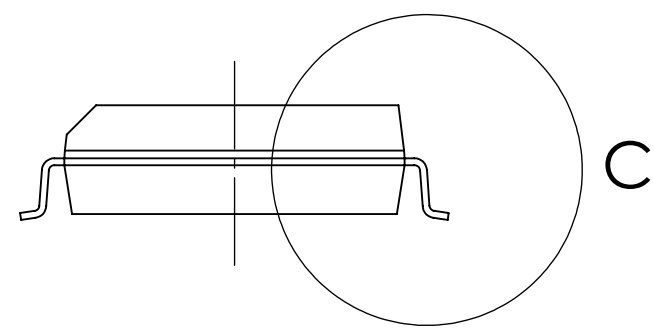
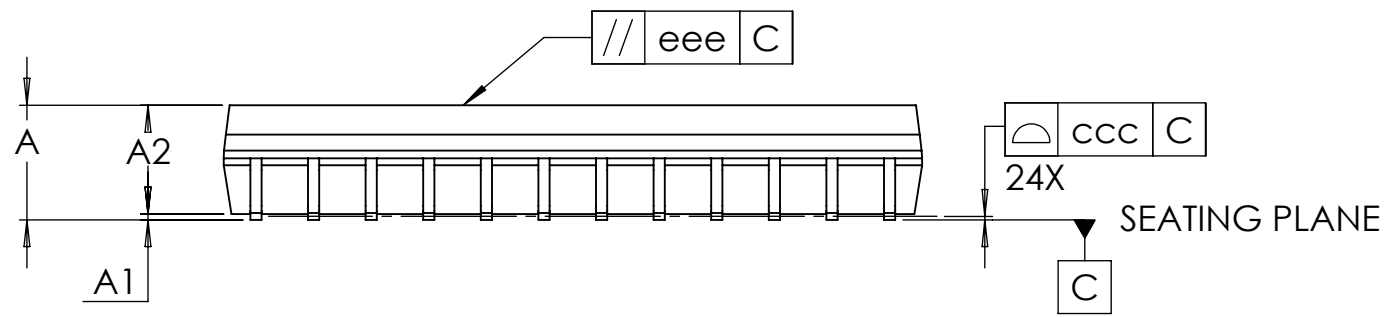


8 7 6 5 4 3 2 1



DETAIL C



NOTES:
 1. ALL DIMENSIONS IN MM, ANGLES IN DEGREES
 2. DIMENSIONING AND TOLERANCING PER ASME Y14.5-2009.
 3. CONFORMS TO JEDEC MS-012

SYMBOL	MIN	MAX	SYMBOL	MIN	MAX
A	-	2.72	aaa	0.10	
A1	0.15	0.30	bbb	0.30	
A2	2.38	2.46	ccc	0.10	
b	0.15	0.25	ddd	0.25	
D	15.40 BSC		eee	0.10	
E	10.30 BSC		theta	0	8
E1	7.50 BSC		theta1	5	15
e	1.27 BSC		theta2	0	-
L	0.40	1.27	theta3	45 DEG.	REF



TITLE		REV A
SOIC 24L 0.300" BODY 1.27 PITCH PACKAGE OUTLINE		
DWG. NO.: 24L-SOIC-300W-127P		SHEET 1 of 1
DO NOT SCALE	File Name: 24L-SOIC-300W-127P.PDF	

ALL INFORMATION CONTAINED HEREIN IS THE PROPERTY OF QPTECHNOLOGIES AND IS CONSIDERED PROPRIETARY AND SUBJECT TO RETURN UPON DEMAND. ACCEPTANCE AND RETENTION HEREOF SIGNIFIES AGREEMENT BY THE RECIPIENT THAT THE INFORMATION WILL NOT BE DISCLOSED TO OTHERS NOR USED CONTRARY TO THE INTEREST OF QPTECHNOLOGIES WITHOUT PRIOR WRITTEN PERMISSION

8 7 6 5 4 3 2 1